



Dynamic Speed Controlled (DySC™)

Air Heater Sootblowing
Control System

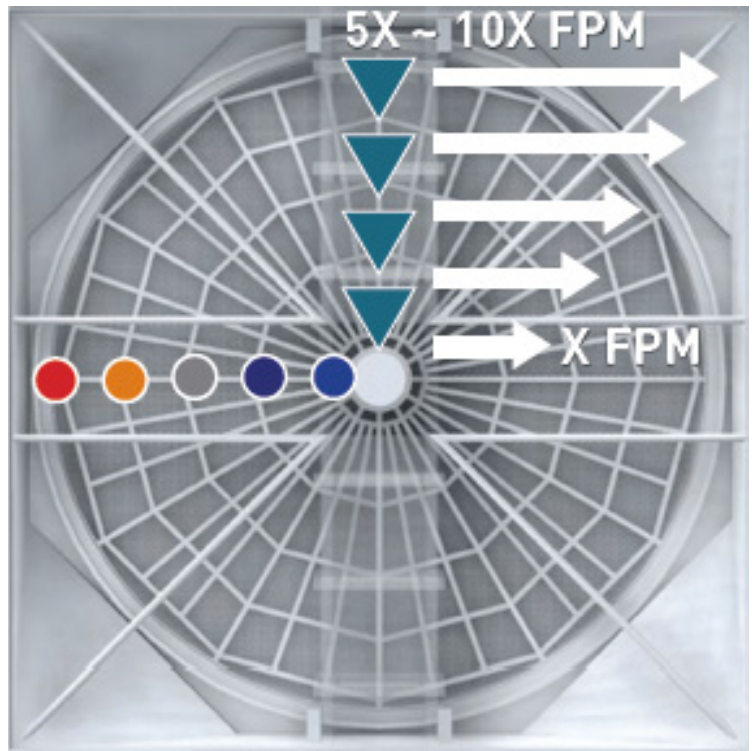
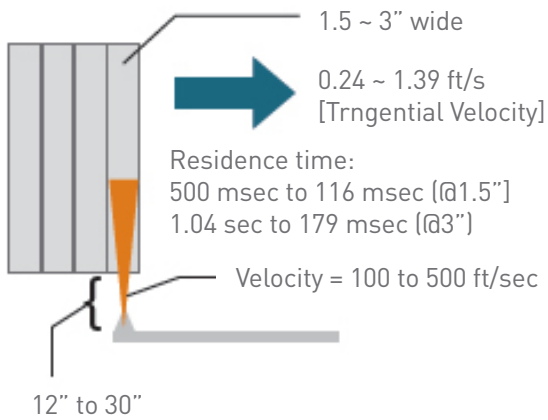
Air Heater Sootblowing

Limitations of standard fixed speed sootblowing

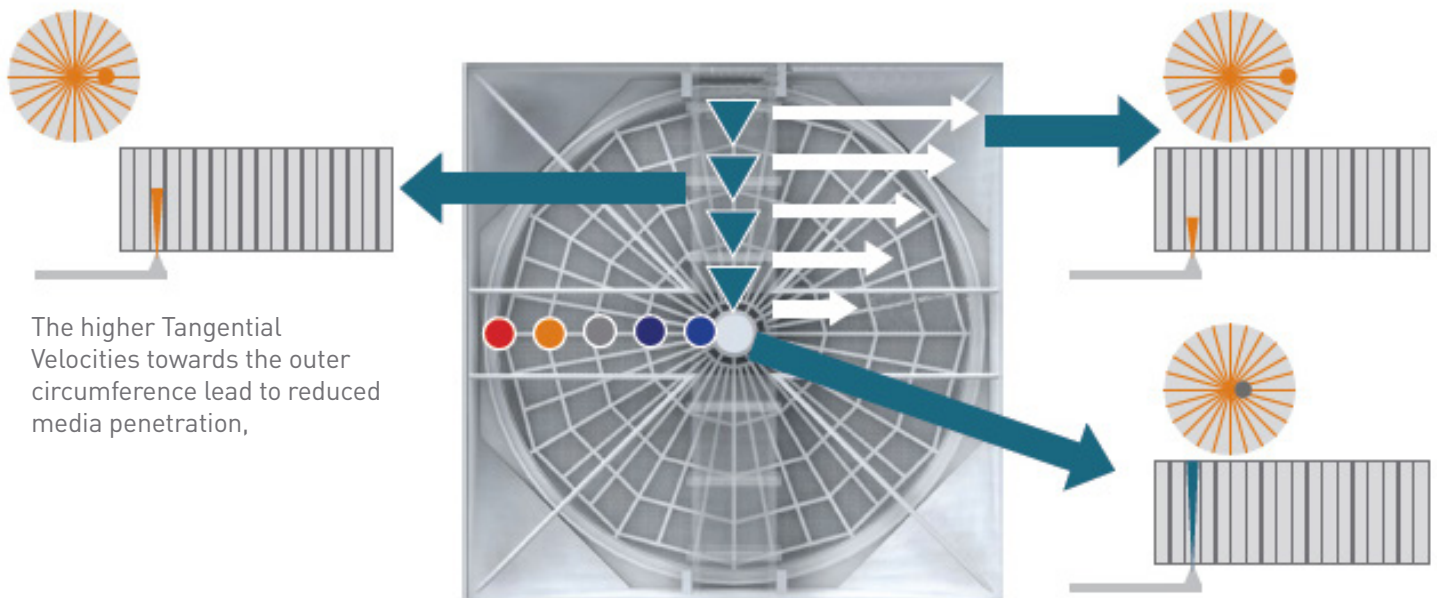
Air Heater tangential velocities may be up to 5 to 10 times higher at the circumference than at the center.

For E.G.

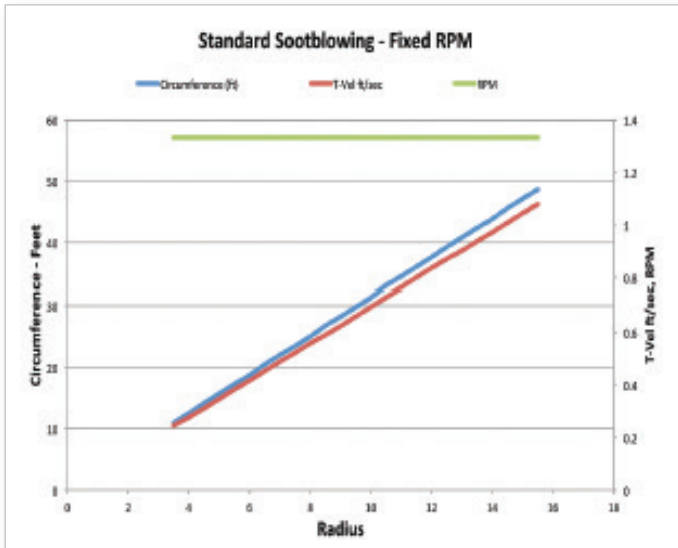
Location	Radius	Tangential Velocity
Trunnion	3.5 Feet	0.24 Feet/Sec
Circumference	20 Feet	1.39 Feet/sec



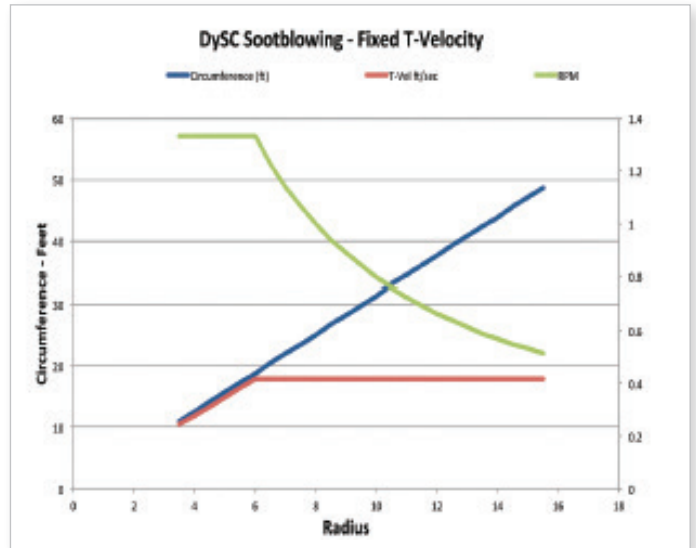
Sootblower Cleaning Ability = function(tangential velocity, peak Impact Pressure, Distance from nozzle, strength-adhesion characteristics of deposits, residence time)



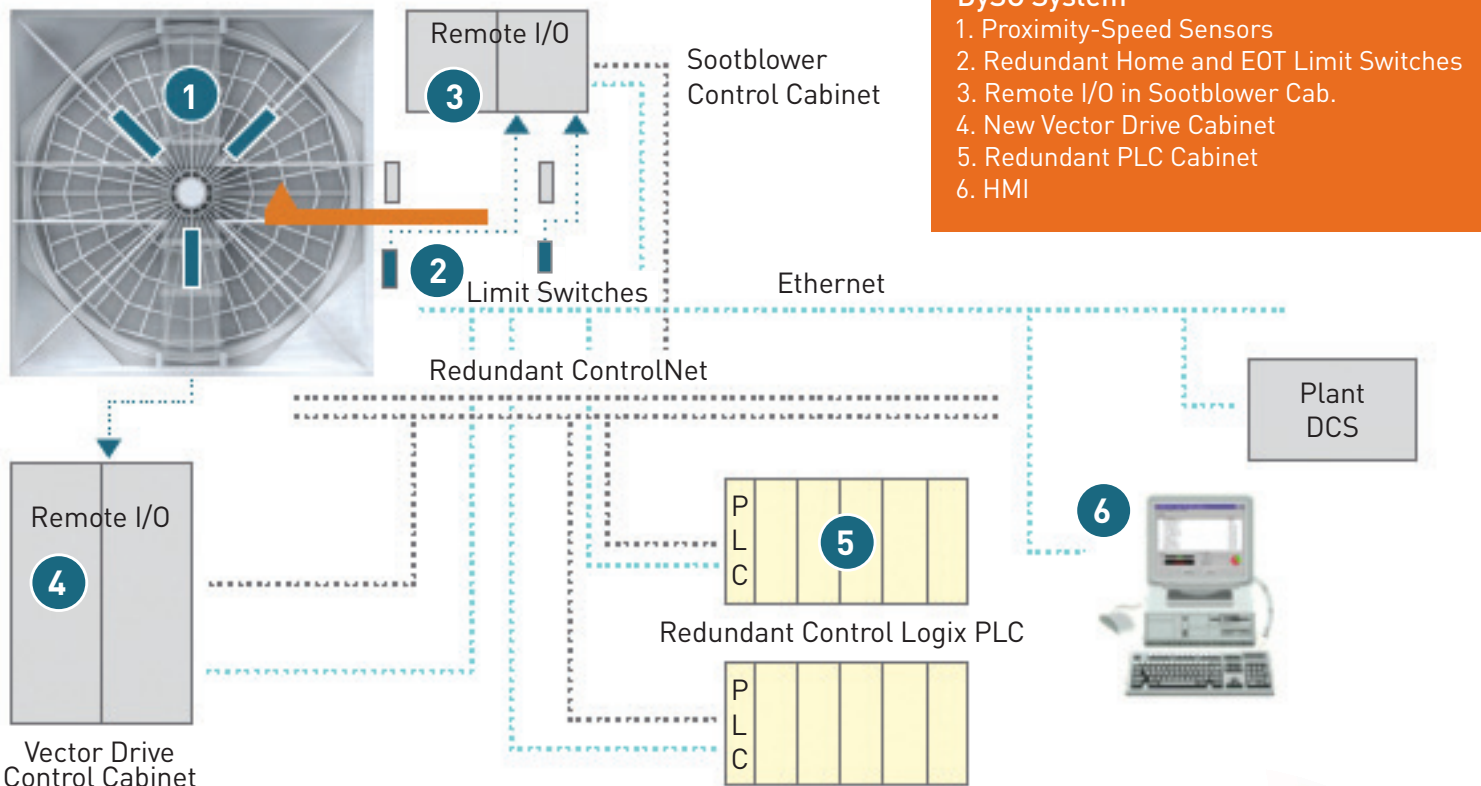
Variable Speed sootblowing



The DySC sootblowing process maintains a Tangential Velocity at or below a desired value in order to maintain maximum media penetration.



The standard sootblower keeps the RPM fixed while the Tangential Velocity changes based on position of the nozzle.





BREEN[®]
SMART SCIENCE • SMART SOLUTIONS

Breen
700 Bursca Drive, Suite 701
Bridgeville, PA 15017

Direct: 412-431-4499
Fax: 412-431-4104

www.breenes.com

DYSC BENEFITS

- Ensures proper cleaning of the cold end of the Air Heater
- Reduces Delta-P; avoid derates and Fan capacity issues
- Eliminates the need for outages for AH Cleaning; save on cleaning costs and lost production
- Improved Heat Rate
- Fuel Flexibility

Specifications

General

Type of Air Heater	Lungstrom
Compatible Sootblowers	Retractable Indexing

Electrical

Motors	480 VAC 3-Phase, Inverter Duty
Analog I/O	Speed, Position, % Complete, Direction
Digital I/O	Start/Stop, SB Cycle, Primary/Secondary
Switch Voltage	110 VAC
Field Wiring	480 VAC, 110 VAC, ControNet, Ethernet, 4-20 mA

Mechanical

AH Motor Coupling	Rigid Coupling required. Fluid Coupling not acceptable
-------------------	--

Other

Cooling Air	25 CFM @ 100 PSIG
-------------	-------------------